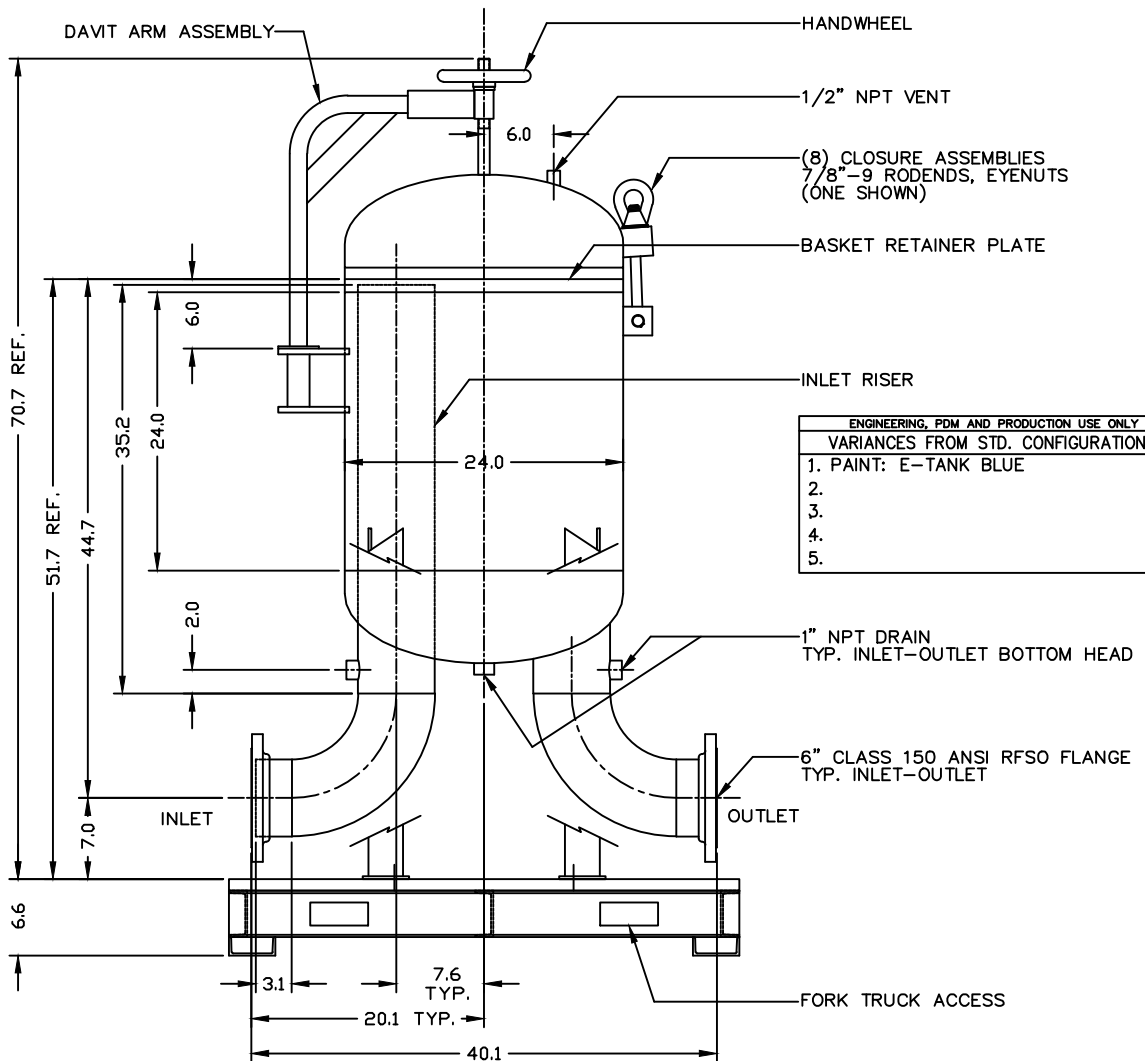


TOP VIEW
SHOWN W/O COVER & DAVIT ARM ASSEMBLY




ENGINEERING, PDM AND PRODUCTION USE ONLY	
VARIANCES FROM STD. CONFIGURATIONS	
1.	PAINT: E-TANK BLUE
2.	
3.	
4.	
5.	

NOTES:

- CONSTRUCTION
ALL WELDED CONSTRUCTION,
- MATERIALS OF CONSTRUCTION
ALL WETTED PARTS TO BE CARBON STEEL
ALL WELDED ATTACHMENTS TO BE CARBON STEEL
CLOSURE ASSEMBLIES TO BE SWING BOLT TYPE
- PAINT
E-TANK BLUE (SEM MULTI COAT)
- DESIGN PRESSURE
150 PSIG
- DESIGN TEMPERATURE
400°F
- FILTER BAG BASKET
304 STAINLESS STEEL
4.4 ft² AREA EACH BASKET
26.4 ft² AREA TOTAL EACH HOUSING
9/64" DIA. HOLES ON 3/16" ST. CL'S (51% OPEN)

- FILTER BAG
(ORDER SEPARATELY)
- O-RING MATERIAL
BUNA
- MODEL NUMBER
24306F1150CBS-PB-SKID

LET.	REVISION	BY	DATE

DO NOT SCALE DRAWING	EWR 28FEB14-02	MATERIAL	TITLE MODEL 24 W/SKID 24306F1150CBS-PB-SKID E-TANK LTD
UNLESS OTHERWISE SPECIFIED DIMENSIONS ARE IN INCHES	ASS'Y REF.	 ROSEDALE PRODUCTS, INC. P.O. BOX 1085 ANN ARBOR, MI 48108	ITEM NO.
TOLERANCES	DR. DMF DATE 03MAR14		SHEET 1 of 1
3 PLACE DEC ±	2 PLACE DEC ±	OTHER ±	ANGULAR ±
MACHINED SURFACES	DEBURR ALL EDGES	CH. DATE	DRAWING NO. C25021.10
✓	FILLET RADII:	SCALE 1/8	REV.